

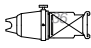
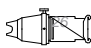
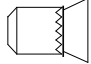
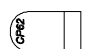

**GENERAL NOTES:**

THIS IS A GENERIC TOUR PLAN.

PROFILE LENS/BEAM ANGLE DEPENDANT ON VENUE AND AVAILABILITY.

LAMPS MAY BE SUBSTITUTED eg FRESNELS FOR PARS etc.

**Key:**

-  PROFILE 30 or 50
-  PROFILE 26
-  1K FRESNEL
-  PAR64 CP62
-  FLOORCAN CP62

THIS DRAWING REPRESENTS DESIGN INTENT AND CONCEPT ONLY. The designer and associates are responsible for visual aspects of this production and all specifications provided relate solely to the appearance of the lighting and not matters of electrical or structural soundness and/or safety. The implementation of this lighting design must comply with the applicable local safety and fire codes. The designer is not qualified to determine electrical or structural appropriateness of the design and will not assume responsibility for damages resulting through improper engineering and/or implementation in the handling of this lighting design. The designer agrees to make prompt correcting alterations to any specification found to be incompatible with proper safety and fire codes.



Directed by; Patrick Sandford

uk tour  
generic LX plan

23-02-2009

